

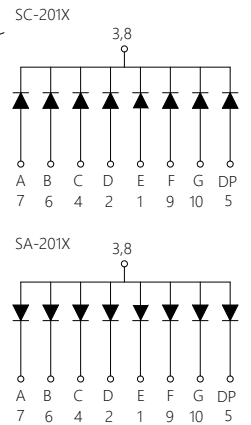
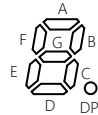
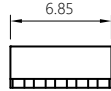
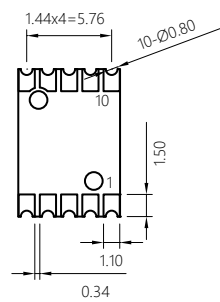
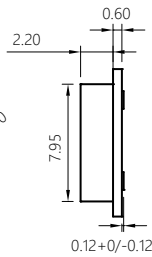
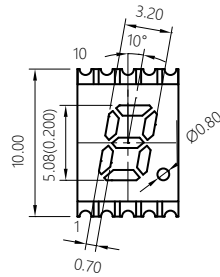
Smart Displays



0.2 inch

Single Digit

SC/A-201X



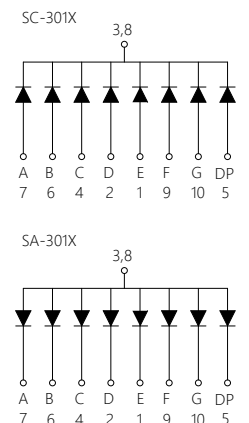
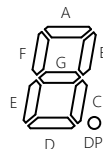
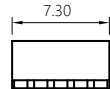
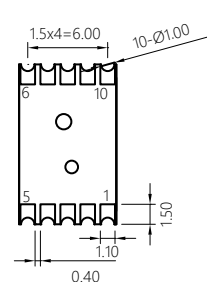
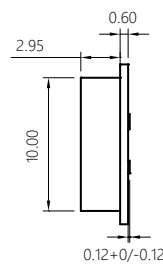
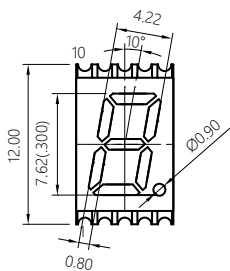
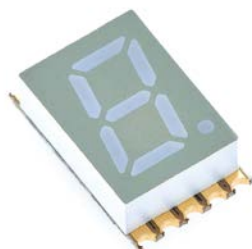
Unit : mm

| Common Cathode | | Common Anode | | Emitting Color | Wavelength λ_d (nm)/CIE (x.y) | Typ. Luminous Intensity I_v (mcd)/Seg. | Forward Current I_F (mA) |
|----------------|-------------|--------------|-------------|----------------|---------------------------------------|--|----------------------------|
| Part No | Ref. PN | Part No | Ref. PN | | | | |
| SC-201LE1 | SC201LE1999 | SA-201LE1 | SA201LE1082 | Orange Red | 622 | 8 | 10 |
| SC-201G1 | SC201G1998 | SA-201G1 | SA201G1092 | Yellow Green | 570 | 2 | 10 |
| SC-201UB | SC201UB997 | SA-201UB | SA201UB102 | Blue | 465 | 10 | 10 |
| SC-201UW | SC201UW996 | SA-201UW | SA201UW112 | White | (0.30, 0.30) | 60 | 10 |

0.3 inch

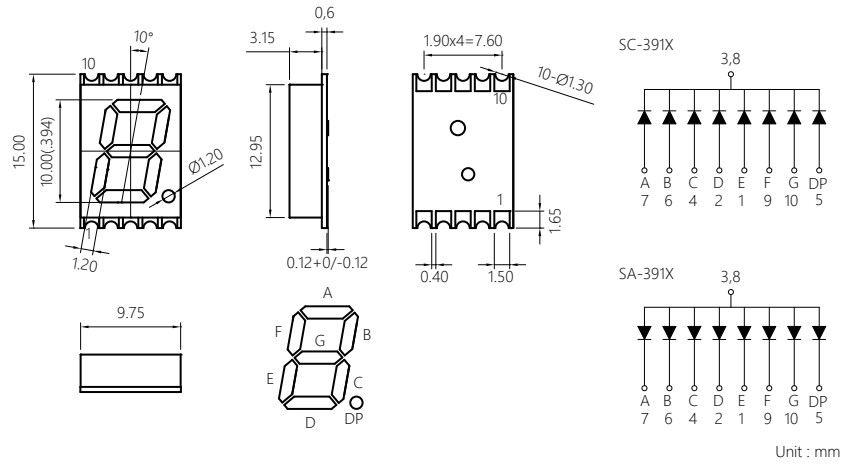
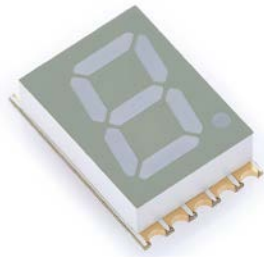
Single Digit

SC/A-301X



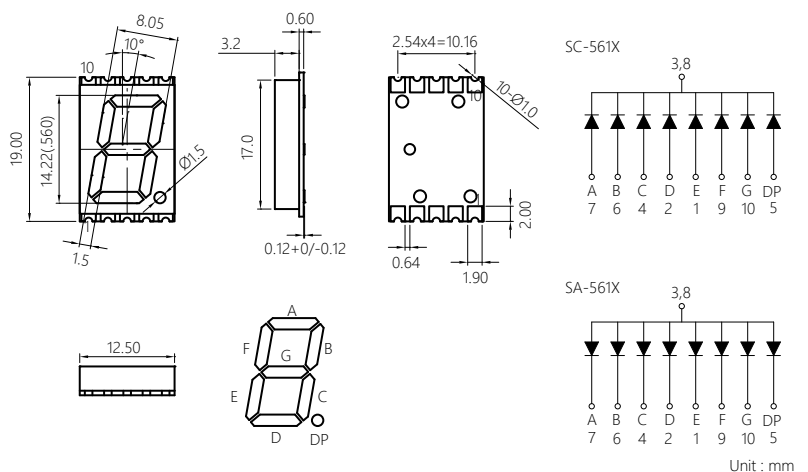
Unit : mm

| Common Cathode | | Common Anode | | Emitting Color | Wavelength λ_d (nm)/CIE (x.y) | Typ. Luminous Intensity I_v (mcd)/Seg. | Forward Current I_F (mA) |
|----------------|-------------|--------------|-------------|----------------|---------------------------------------|--|----------------------------|
| Part No | Ref. PN | Part No | Ref. PN | | | | |
| SC-301LE1 | SC301LE1995 | SA-301LE1 | SA301LE1083 | Orange Red | 622 | 10 | 10 |
| SC-301G1 | SC301G1994 | SA-301G1 | SA301G1093 | Yellow Green | 570 | 2.5 | 10 |
| SC-301UB | SC301UB993 | SA-301UB | SA301UB103 | Blue | 465 | 12 | 10 |
| SC-301UW | SC301UW992 | SA-301UW | SA301UW113 | White | (0.30, 0.30) | 68 | 10 |



Unit : mm

| Common Cathode | | Common Anode | | Emitting Color | Wavelength λ_d (nm)/CIE (x.y) | Typ. Luminous Intensity I_v (mcd)/Seg. | Forward Current I_F (mA) |
|----------------|-------------|--------------|-------------|----------------|--|---|-------------------------------|
| Part No | Ref. PN | Part No | Ref. PN | | | | |
| SC-391LR1 | SC391LR1991 | SA-391LR1 | SA391LR1084 | Super Red | 631 | 12 | 10 |
| SC-391G1 | SC391G1990 | SA-391G1 | SA391G1094 | Yellow Green | 570 | 4 | 10 |
| SC-391UB | SC391UB989 | SA-391UB | SA391UB104 | Blue | 465 | 14 | 10 |
| SC-391UW | SC391UW988 | SA-391UW | SA391UW114 | White | (0.30, 0.31) | 75 | 10 |



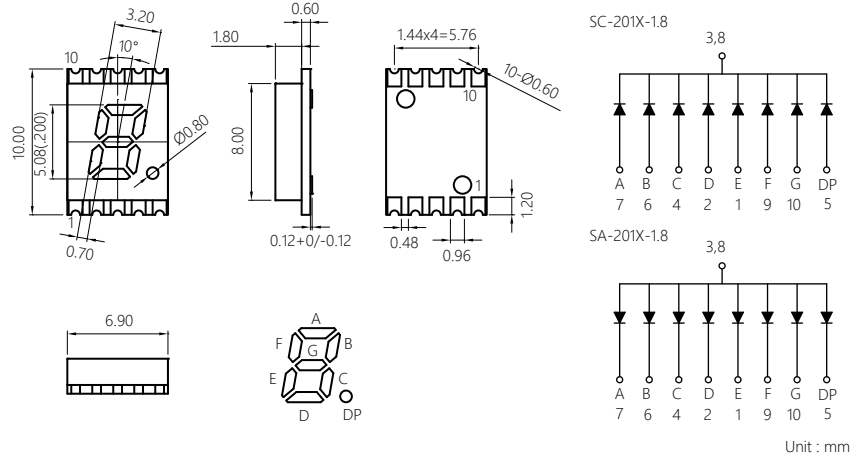
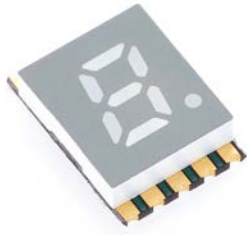
Unit : mm

| Common Cathode | | Common Anode | | Emitting Color | Wavelength λ_d (nm)/CIE (x.y) | Typ. Luminous Intensity I_v (mcd)/Seg. | Forward Current I_F (mA) |
|----------------|-------------|--------------|-------------|----------------|--|---|-------------------------------|
| Part No | Ref. PN | Part No | Ref. PN | | | | |
| SC-561LR1 | SC561LR1987 | SA-561LR1 | SA561LR1085 | Super Red | 631 | 16 | 10 |
| SC-561G1 | SC561G1986 | SA-561G1 | SA561G1095 | Yellow Green | 570 | 6 | 10 |
| SC-561UB | SC561UB985 | SA-561UB | SA561UB105 | Blue | 465 | 18 | 10 |
| SC-561UW | SC561UW984 | SA-561UW | SA561UW115 | White | (0.30, 0.31) | 80 | 10 |

0.2 inch

Single Digit

SC/A-201X-1.8 (Ultra Thin)



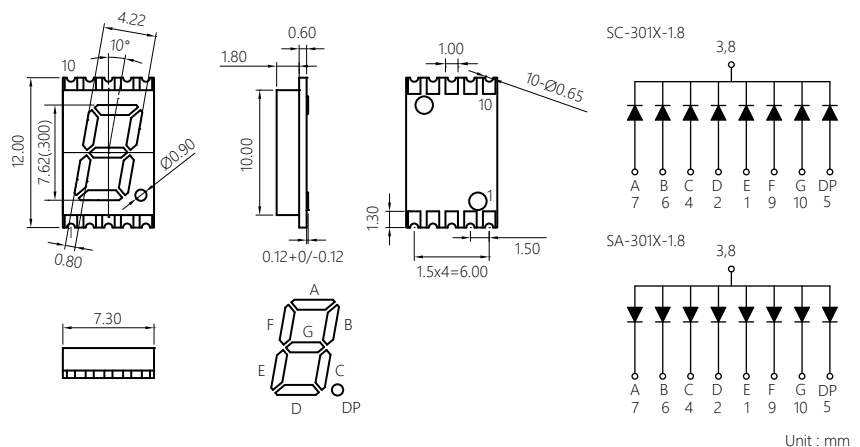
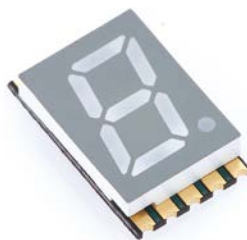
Unit : mm

| Common Cathode | | Common Anode | | Emitting Color | Wavelength λ_d (nm)/CIE (x.y) | Typ. Luminous Intensity I_v (mcd)/Seg. | Forward Current I_f (mA) |
|----------------|-------------|---------------|-------------|----------------|--|--|-------------------------------|
| Part No | Ref. PN | Part No | Ref. PN | | | | |
| SC-201LE1-1.8 | SC201LE1963 | SA-201LE1-1.8 | SA201LE1122 | Orange Red | 622 | 15 | 10 |
| SC-201G1-1.8 | SC201G1962 | SA-201G1-1.8 | SA201G1123 | Yellow Green | 570 | 3.5 | 10 |
| SC-201UB-1.8 | SC201UB961 | SA-201UB-1.8 | SA201UB124 | Blue | 465 | 19 | 10 |
| SC-201UW-1.8 | SC201UW960 | SA-201UW-1.8 | SA201UW125 | White | (0.30, 0.30) | 80 | 10 |

0.3 inch

Single Digit

SC/A-301X-1.8 (Ultra Thin)



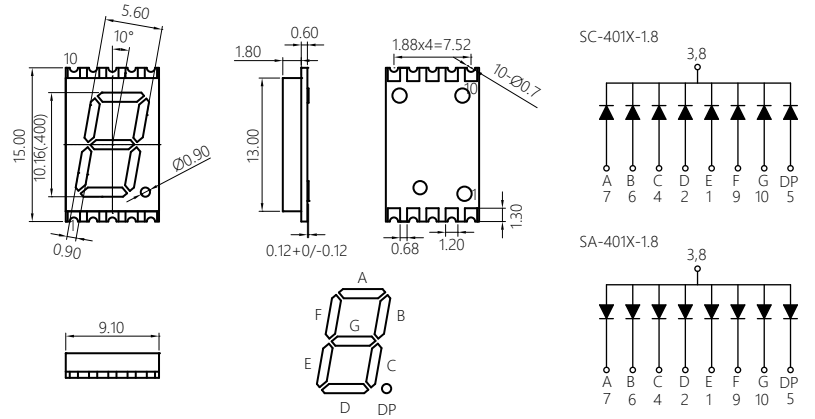
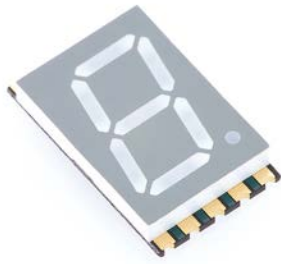
Unit : mm

| Common Cathode | | Common Anode | | Emitting Color | Wavelength λ_d (nm)/CIE (x.y) | Typ. Luminous Intensity I_v (mcd)/Seg. | Forward Current I_f (mA) |
|----------------|-------------|---------------|-------------|----------------|--|--|-------------------------------|
| Part No | Ref. PN | Part No | Ref. PN | | | | |
| SC-301LR1-1.8 | SC301LR1959 | SA-301LR1-1.8 | SA301LR1126 | Super Red | 631 | 18 | 10 |
| SC-301G1-1.8 | SC301G1958 | SA-301G1-1.8 | SA301G1127 | Yellow Green | 570 | 5 | 10 |
| SC-301UB-1.8 | SC301UB957 | SA-301UB-1.8 | SA301UB128 | Blue | 465 | 21 | 10 |
| SC-301UW-1.8 | SC301UW956 | SA-301UW-1.8 | SA301UW129 | White | (0.30, 0.31) | 100 | 10 |

0.4 inch

Single Digit

SC/A-401X-1.8 (Ultra Thin)



Unit : mm

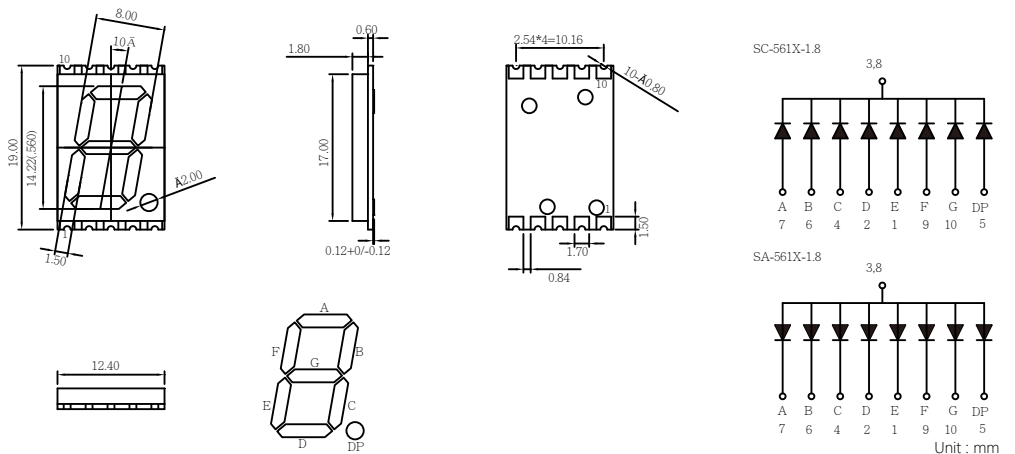
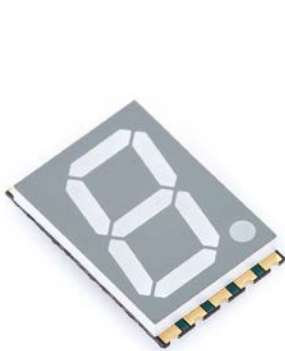
| Common Cathode | | Common Anode | | Emitting Color | Wavelength λ_d (nm)/CIE (x,y) | Typ. Luminous Intensity I_v (mcd)/Seg. | Forward Current I_F (mA) |
|----------------|-------------|---------------|-------------|----------------|--|---|-------------------------------|
| Part No | Ref. PN | Part No | Ref. PN | | | | |
| SC-401LR1-1.8 | SC401LR1955 | SA-401LR1-1.8 | SA401LR1130 | Super Red | 631 | 22 | 10 |
| SC-401G1-1.8 | SC401G1954 | SA-401G1-1.8 | SA401G1131 | Yellow Green | 570 | 8.5 | 10 |
| SC-401UB-1.8 | SC401UB953 | SA-401UB-1.8 | SA401UB132 | Blue | 465 | 30 | 10 |
| SC-401UW-1.8 | SC401UW952 | SA-401UW-1.8 | SA401UW133 | White | (0.30, 0.31) | 120 | 10 |

SMD Display

0.56 inch

Single Digit

SC/A-561X-1.8 (Ultra Thin)



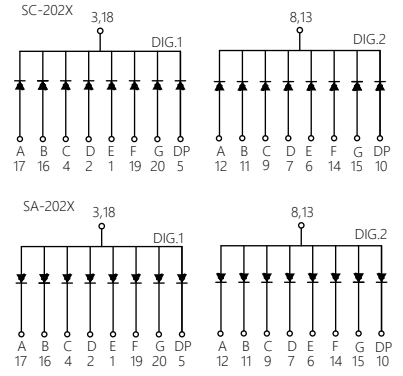
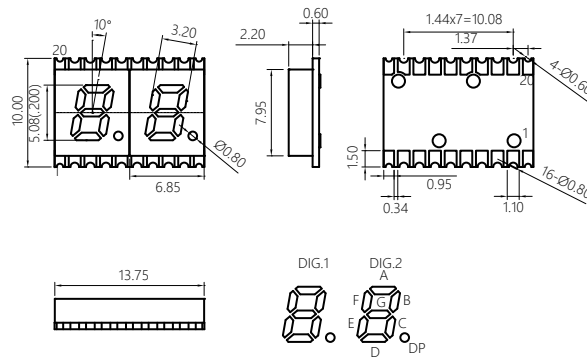
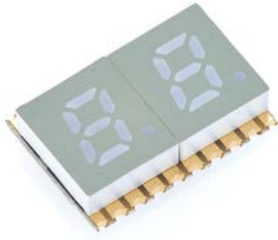
Unit : mm

| Common Cathode | | Common Anode | | Emitting Color | Wavelength λ_d (nm)/CIE (x,y) | Typ. Luminous Intensity I_v (mcd)/Seg. | Forward Current I_F (mA) |
|----------------|-------------|---------------|-------------|----------------|--|---|-------------------------------|
| Part No | Ref. PN | Part No | Ref. PN | | | | |
| SC-561LR1-1.8 | SC561LR1951 | SA-561LR1-1.8 | SA561LR1134 | Super Red | 631 | 25 | 10 |
| SC-561G1-1.8 | SC561G1950 | SA-561G1-1.8 | SA561G1135 | Yellow Green | 570 | 10 | 10 |
| SC-561UB-1.8 | SC561UB949 | SA-561UB-1.8 | SA561UB136 | Blue | 465 | 45 | 10 |
| SC-561UW-1.8 | SC561UW948 | SA-561UW-1.8 | SA561UW137 | White | (0.30, 0.31) | 180 | 10 |

0.2 inch

Dual Digit

SC/A-202X



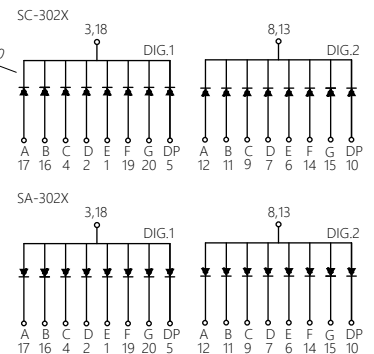
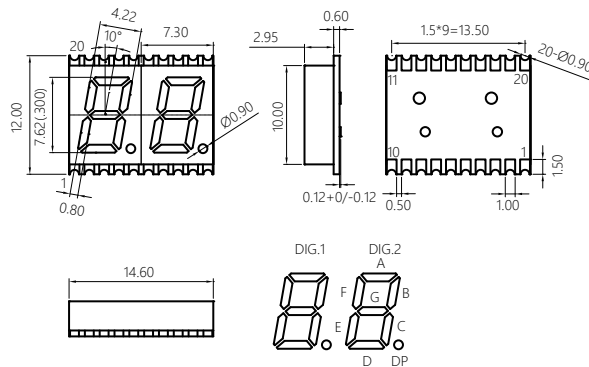
Unit : mm

| Common Cathode | | Common Anode | | Emitting Color | Wavelength λ_d (nm)/CIE (x.y) | Typ. Luminous Intensity I_v (mcd)/Seg. | Forward Current I_f (mA) |
|----------------|-------------|--------------|-------------|----------------|--|---|-------------------------------|
| Part No | Ref. PN | Part No | Ref. PN | | | | |
| SC-202LE1 | SC202LE1983 | SA-202LE1 | SA202LE1086 | Orange Red | 622 | 8 | 10 |
| SC-202G1 | SC202G1982 | SA-202G1 | SA202G1096 | Yellow Green | 570 | 2 | 10 |
| SC-202UB | SC202UB981 | SA-202UB | SA202UB106 | Blue | 465 | 10 | 10 |
| SC-202UW | SC202UW980 | SA-202UW | SA202UW116 | White | (0.30, 0.30) | 60 | 10 |

0.3 inch

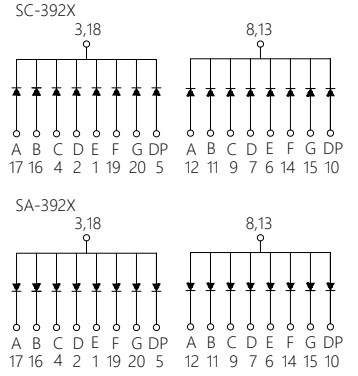
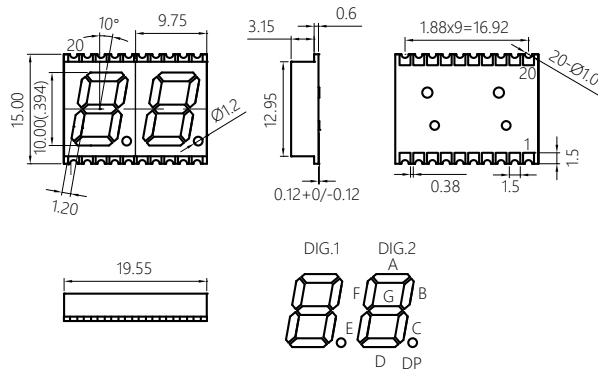
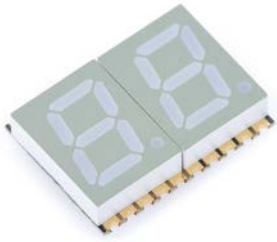
Dual Digit

SC/A-302X



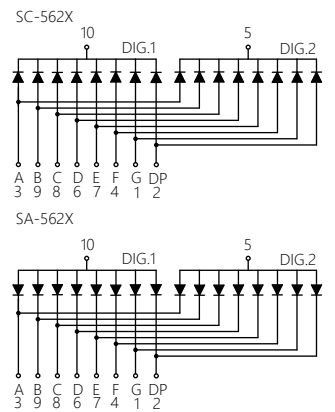
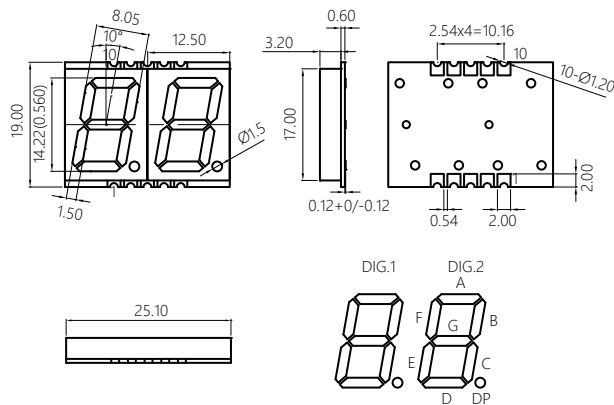
Unit : mm

| Common Cathode | | Common Anode | | Emitting Color | Wavelength λ_d (nm)/CIE (x.y) | Typ. Luminous Intensity I_v (mcd)/Seg. | Forward Current I_f (mA) |
|----------------|-------------|--------------|-------------|----------------|--|---|-------------------------------|
| Part No | Ref. PN | Part No | Ref. PN | | | | |
| SC-302LE1 | SC302LE1979 | SA-302LE1 | SA302LE1087 | Orange Red | 622 | 10 | 10 |
| SC-302G1 | SC302G1978 | SA-302G1 | SA302G1097 | Yellow Green | 570 | 2.5 | 10 |
| SC-302UB | SC302UB977 | SA-302UB | SA302UB107 | Blue | 465 | 12 | 10 |
| SC-302UW | SC302UW976 | SA-302UW | SA302UW117 | White | (0.30, 0.30) | 68 | 10 |



Unit : mm

| Common Cathode | | Common Anode | | Emitting Color | Wavelength λ_d (nm)/CIE (x,y) | Typ. Luminous Intensity I_v (mcd)/Seg. | Forward Current I_F (mA) |
|----------------|-------------|--------------|-------------|----------------|--|---|-------------------------------|
| Part No | Ref. PN | Part No | Ref. PN | | | | |
| SC-392LR1 | SC392LR1975 | SA-392LR1 | SA392LR1088 | Super Red | 631 | 12 | 10 |
| SC-392G1 | SC392G1974 | SA-392G1 | SA392G1098 | Yellow Green | 570 | 4 | 10 |
| SC-392UB | SC392UB973 | SA-392UB | SA392UB108 | Blue | 465 | 14 | 10 |
| SC-392UW | SC392UW972 | SA-392UW | SA392UW118 | White | (0.30, 0.31) | 75 | 10 |



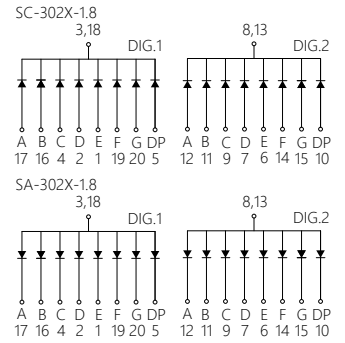
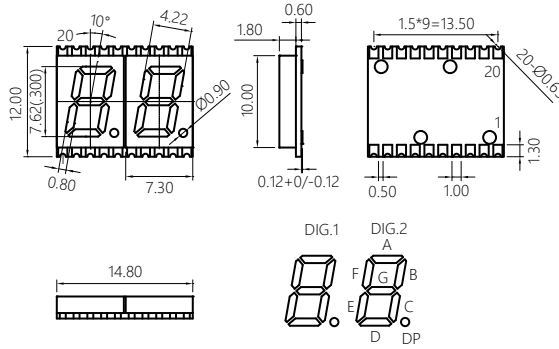
Unit : mm

| Common Cathode | | Common Anode | | Emitting Color | Wavelength λ_d (nm)/CIE (x,y) | Typ. Luminous Intensity I_v (mcd)/Seg. | Forward Current I_F (mA) |
|----------------|-------------|--------------|-------------|----------------|--|---|-------------------------------|
| Part No | Ref. PN | Part No | Ref. PN | | | | |
| SC-562LR1 | SC562LR1971 | SA-562LR1 | SA562LR1089 | Super Red | 631 | 16 | 10 |
| SC-562G1 | SC562G1970 | SA-562G1 | SA562G1099 | Yellow Green | 570 | 6 | 10 |
| SC-562UB | SC562UB969 | SA-562UB | SA562UB109 | Blue | 465 | 18 | 10 |
| SC-562UW | SC562UW968 | SA-562UW | SA562UW119 | White | (0.30, 0.31) | 80 | 10 |

0.3 inch

Dual Digit

SC/A-302X-1.8 (Ultra Thin)



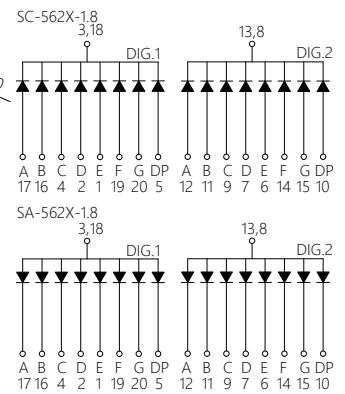
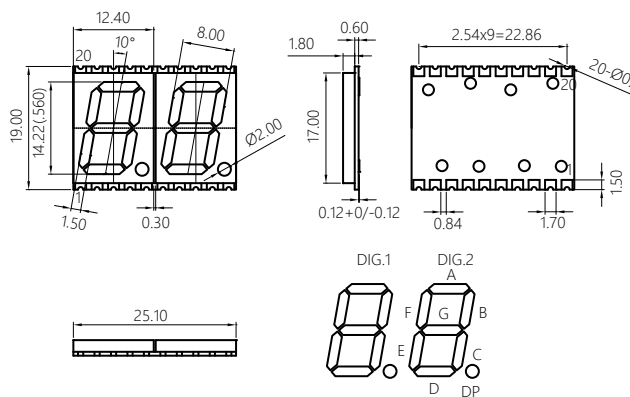
Unit : mm

| Common Cathode | | Common Anode | | Emitting Color | Wavelength λ_d (nm)/CIE (x,y) | Typ. Luminous Intensity I_v (mcd)/Seg. | Forward Current I_f (mA) |
|----------------|-------------|---------------|-------------|----------------|---------------------------------------|--|----------------------------|
| Part No | Ref. PN | Part No | Ref. PN | | | | |
| SC-3021LR1-1.8 | SC302LR1947 | SA-302LR1-1.8 | SA302LR1138 | Super Red | 631 | 18 | 10 |
| SC-302G1-1.8 | SC302G1946 | SA-302G1-1.8 | SA302G1139 | Yellow Green | 570 | 5 | 10 |
| SC-302UB-1.8 | SC302UB945 | SA-302UB-1.8 | SA302UB140 | Blue | 465 | 21 | 10 |
| SC-302UW-1.8 | SC302UW944 | SA-302UW-1.8 | SA302UW141 | White | (0.30, 0.31) | 100 | 10 |

0.56 inch

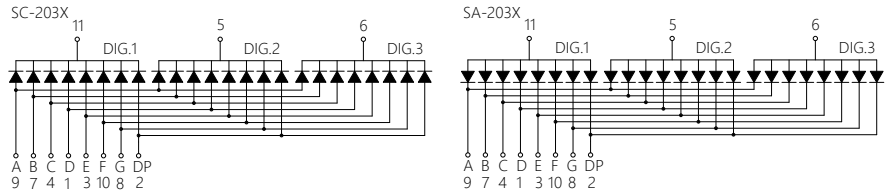
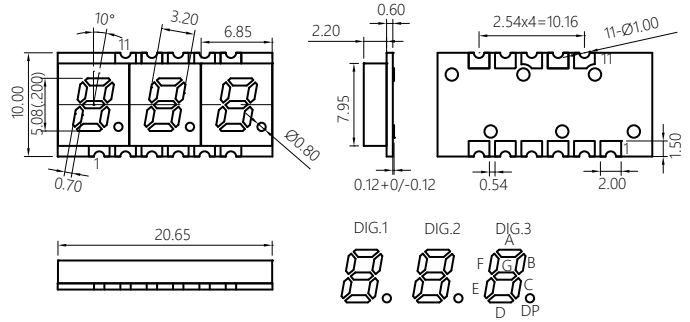
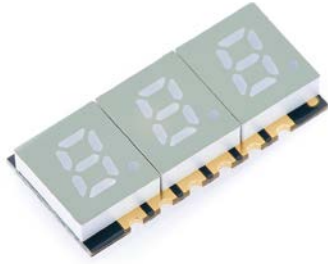
Dual Digit

SC/A-562X-1.8 (Ultra Thin)



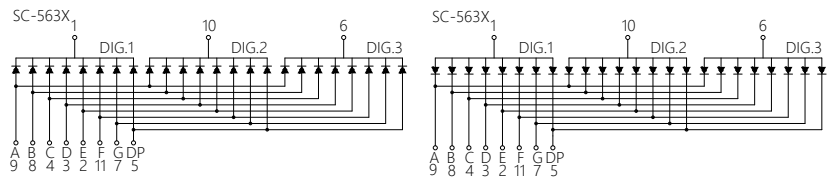
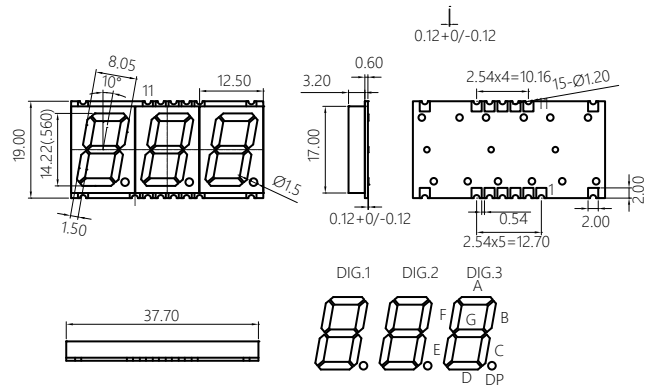
Unit : mm

| Common Cathode | | Common Anode | | Emitting Color | Wavelength λ_d (nm)/CIE (x,y) | Typ. Luminous Intensity I_v (mcd)/Seg. | Forward Current I_f (mA) |
|----------------|-------------|---------------|-------------|----------------|---------------------------------------|--|----------------------------|
| Part No | Ref. PN | Part No | Ref. PN | | | | |
| SC-5621LR1-1.8 | SC562LR1943 | SA-562LR1-1.8 | SA562LR1142 | Super Red | 631 | 25 | 10 |
| SC-562G1-1.8 | SC562G1942 | SA-562G1-1.8 | SA562G1143 | Yellow Green | 570 | 10 | 10 |
| SC-562UB-1.8 | SC562UB941 | SA-562UB-1.8 | SA562UB144 | Blue | 465 | 45 | 10 |
| SC-562UW-1.8 | SC562UW940 | SA-562UW-1.8 | SA562UW145 | White | (0.30, 0.31) | 180 | 10 |



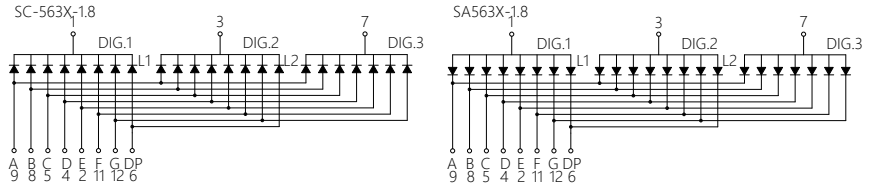
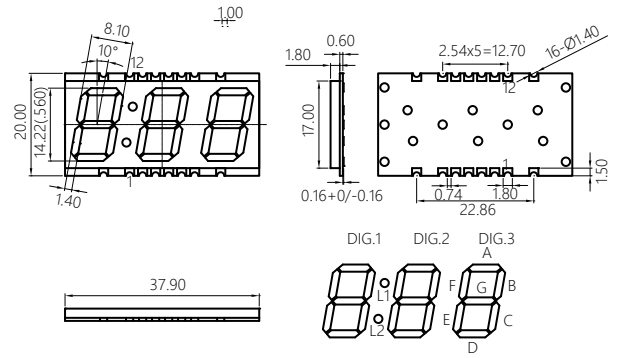
Unit : mm

| Common Cathode | | Common Anode | | Emitting Color | Wavelength λ_d (nm)/CIE (x,y) | Typ. Luminous Intensity I_v (mcd)/Seg. | Forward Current I_F (mA) |
|----------------|-------------|--------------|-------------|----------------|--|---|-------------------------------|
| Part No | Ref. PN | Part No | Ref. PN | | | | |
| SC-203LE1 | SC203LE1935 | SA-203LE1 | SA203LE1090 | | 622 | 8 | 10 |
| SC-203G1 | SC203G1934 | SA-203G1 | SA203G1100 | | 570 | 2 | 10 |
| SC-203UB | SC203UB933 | SA-203UB | SA203UB110 | | 465 | 10 | 10 |
| SC-203UW | SC203UW932 | SA-203UW | SA203UW120 | | (0.30, 0.30) | 60 | 10 |



Unit : mm

| Common Cathode | | Common Anode | | Emitting Color | Wavelength λ_d (nm)/CIE (x,y) | Typ. Luminous Intensity I_v (mcd)/Seg. | Forward Current I_F (mA) |
|----------------|-------------|--------------|-------------|----------------|--|---|-------------------------------|
| Part No | Ref. PN | Part No | Ref. PN | | | | |
| SC-563LR1 | SC563LR1967 | SA-563LR1 | SA563LR1091 | | 631 | 16 | 10 |
| SC-563G1 | SC563G1966 | SA-563G1 | SA563G1101 | | 570 | 6 | 10 |
| SC-563UB | SC563UB965 | SA-563UB | SA563UB111 | | 465 | 18 | 10 |
| SC-563UW | SC563UW964 | SA-563UW | SA563UW121 | | (0.30, 0.31) | 80 | 10 |



Unit : mm

| Common Cathode | | Common Anode | | Emitting Color | Wavelength λ_d (nm)/CIE (x,y) | Typ. Luminous Intensity I_v (mcd)/Seg. | Forward Current I_F (mA) |
|----------------|-------------|---------------|-------------|----------------|--|--|-------------------------------|
| Part No | Ref. PN | Part No | Ref. PN | | | | |
| SC-5631LR1-1.8 | SC563LR1939 | SA-563LR1-1.8 | SA563LR1146 | Super Red | 631 | 25 | 10 |
| SC-563G1-1.8 | SC563G1938 | SA-563G1-1.8 | SA563G1147 | Yellow Green | 570 | 10 | 10 |
| SC-563UB-1.8 | SC563UB937 | SA-563UB-1.8 | SA563UB148 | Blue | 465 | 45 | 10 |
| SC-563UW-1.8 | SC563UW936 | SA-563UW-1.8 | SA563UW149 | White | (0.30, 0.31) | 180 | 10 |